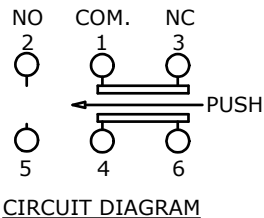


P.C. MOUNTING

| SWITCH FUNCTION | |
|-----------------|----------|
| POS. 1 | POS. 2 |
| | |
| ON | (ON) |
| 1-3, 4-6 | 1-2, 4-5 |

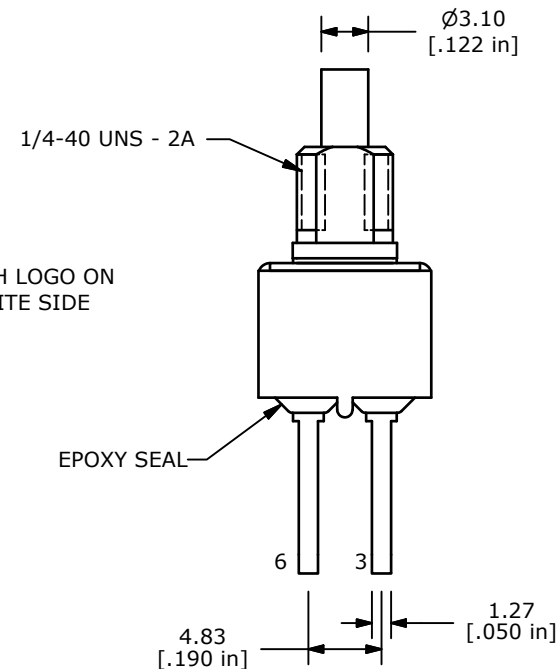
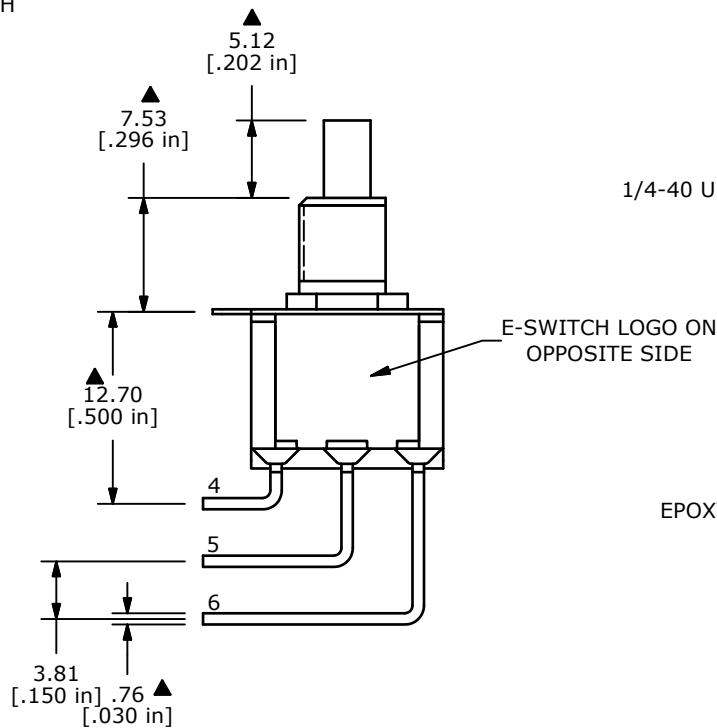
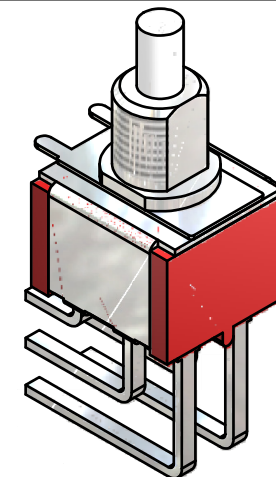
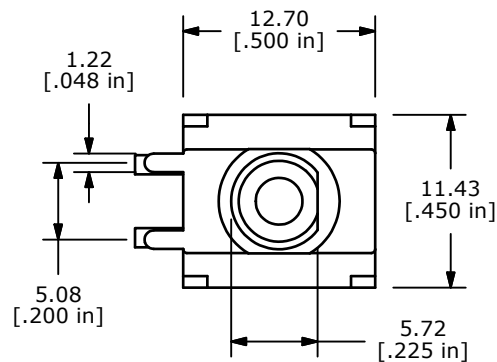
() = MOMENTARY



CIRCUIT DIAGRAM

NOTE:

1. ALL DIMENSIONS IN MM [INCH]
2. GENERAL TOLERANCE: X.X=±0.4
X.XX=±0.25
3. TERMINAL NUMBERS FOR REF ONLY
- ▲4. CONTACT MATERIAL: GOLD
5. RATING: 0.4VA MAX. @ 20 VAC OR VDC MAX.
6. ELECTRIC LIFE: 50,000 MAKE-AND-BREAK CYCLES AT FULL LOAD
7. INSULATION RESISTANCE: 1,000 MEGA-OHM MIN.
8. ACUATION FORCE: 300 ± 100gf
- ▲9. TRAVEL: 1.0 ± 0.2mm
10. CONTACT RESISTANCE: 20 mOHM MAX.
TYPICAL @ 2-4 VDC
11. DIELECTRIC STRENGTH: 1,000 V RMS @ SEA LEVEL.
12. OPERATING TEMP.: -30°C to 85°C
13. ▲ DENOTES CRITICAL PARAMETER.
14. 2002/95/EC (ROHS) COMPLIANT.



| | | | | |
|-----|--------|---------------------------|---------|-----|
| B | 20047 | DRAWING CLEAN-UP / UPDATE | 7/5/11 | BGL |
| A | 16442 | RELEASED FOR PRODUCTION | 9/12/06 | BO |
| REV | PCR NO | DESCRIPTION | DATE | BY |

| | | | | |
|---------------------|-----------|----|---------|-----|
| E-SWITCH® | | | | |
| TITLE 700DP7B11M7RE | | | | |
| SCALE | DATE | DR | DWG | REV |
| 2:1 | 9/12/2006 | BO | T721008 | B |

THE INFORMATION CONTAINED IN THIS DOCUMENT IS PROPRIETARY TO E-SWITCH AND IS NOT TO BE COPIED OR TRANSFERRED